

ES 3160 II

CD-USB-BLUETOOTH/MP3 DIGITAL RECEIVER AMPLIFIER

DESCRIPTION

ES 3160-II is a mixer-amplifier with 4 mic-line audio inputs on removable connectors (the first input also has an XLR socket), CD/USB/Bluetooth - MP3 player and tuner and an aux input for an additional external music source. The amplifier nominal power is 160 W, available on either a low impedance output (min. 4 Ohm) or 100 - 70 V constant voltage output (for loudspeakers having 100 - 70 V transformers).



FEATURES

- CD-USB/MP3 Player / FM tuner / Mixer Amplifier, Bluetooth connection with external device
- IR Remote control for CD - USB/MP3 player & tuner functions
- Full digital technology amplifier 160W RMS, 100V-70V and 4 Ohm outputs
- 4 universal inputs with phantom facility, Presence Control and per-channel High-Pass filters
- RJ45 connectors on input 2 and 3 for connection to BM3001 microphone
- Screw terminal connections, additional XLR and RJ45 input connections available
- Configurable Priority settings, VOX facility on input 1
- Selectable aux input for music source with volume and tone controls
- USB port on front panel allows reproduction of MP3 files from a memory stick
- Music On Hold and PRE outputs

TECHNICAL SPECIFICATIONS

Amplifier specifications	Number of channels:	1
	Power output (@ 100 V):	160 W RMS
	Frequency Response (-3dB):	20 Hz ÷ 20 kHz
	Distortion (THD+N) @ 1 kHz nominal power:	<0.3 %
Input section	Total number of inputs:	8
	Balanced:	5
	Unbalanced:	3
	Mono:	8
	Mic inputs:	1
	Mic connectors:	XLR
	Line inputs:	1
	Line connectors:	RCA
	Mic+Line inputs:	4
	Mic+Line connectors:	Euroblock
	Mic+Line Phantom:	32 V DC
	VOX:	Yes
	Paging inputs:	2
	Paging connectors:	RJ45
	Paging command:	Contact
General Purpose Inputs (GPI):	1	
Output section	Signal output number:	3
	Signal output connectors:	RCA
	Power output connectors:	Euroblock
Processing	Tone controls:	Yes
	High-pass filter:	150 Hz
Controls	Configuration:	DIP switch, Front panel
	Priority:	Yes
	Music on hold:	Yes
	Chime tone:	Yes
Protections	Cooling:	Convection
	Short circuit:	Yes
	Thermal:	Yes
	DC:	Yes
	Fuses:	Yes
Audio sources	CD:	Yes
	FM Tuner:	Yes
	USB pen drives:	Yes
	Bluetooth:	Yes



Power requirement	Operating voltage:	220-240/115 V- 50/60Hz
	Voltage selection:	Internal
	Power consumption:	350 W
Standard compliance	CE marking:	Yes
Physical specifications	Cabinet/Case Material:	Metal
	Color:	Black
	Rack mounting:	19", 3U , Optional rack mounting accessory required
Size	Height:	127 mm / 5 inches
	Width:	444 mm / 17.48 inches
	Depth:	345 mm / 13.58 inches
	Weight:	8.2 kg / 18.08 lbs
Shipping informations	Package Height:	240 mm / 9.45 inches
	Package Width:	455 mm / 17.91 inches
	Package Depth:	535 mm / 21.06 inches
	Package Weight:	9.9 kg / 21.83 lbs

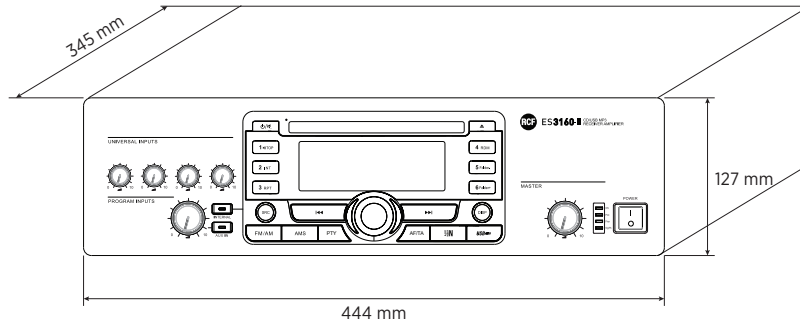
PART NUMBER

- **12135104**

ES 3160 II

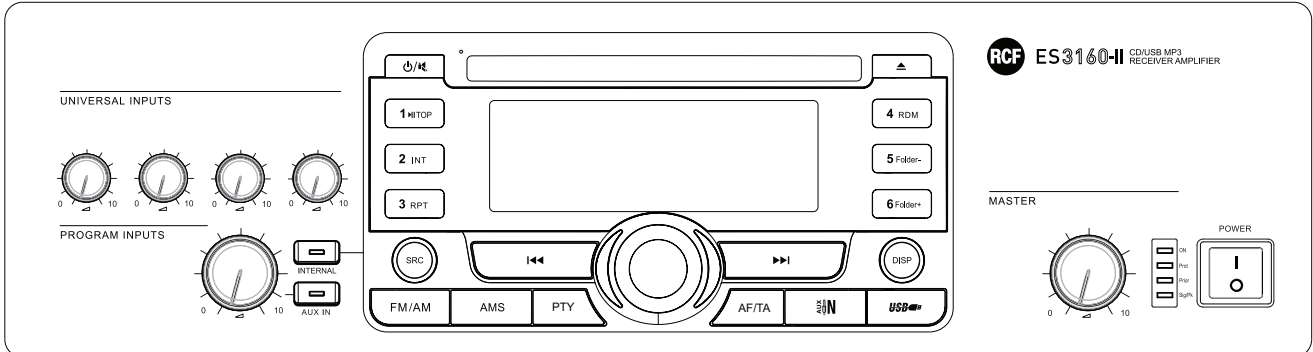
EAN 8024530012076

DRAWINGS



PANELS

Front panel



Rear panel

